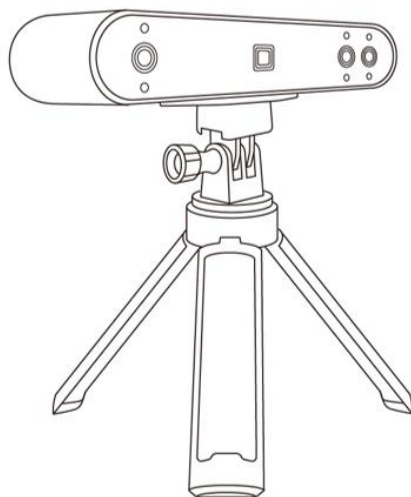


POP 3 3D SCANNER

Quick Start Guide

V1.0



REVOPOINT

Table of Contents

Read Before Your First Scan	2
Software Download	2
Scanning Dark, Transparent, or Reflective Objects	2
Scanning Objects with Plain Surfaces	3
Color Scanning	3
About POP 3	4
What's in the Box?	5
POP 3 on Windows or macOS Devices	6
System Requirements	6
Connection Methods	6
Connecting POP 3 to a PC via USB	6
Connecting POP 3 to a PC via Wi-Fi	8
POP 3 on Smartphones	9
System Requirements	9
Connection Methods	9
Connecting POP 3 to Android Phones via USB	9
Connecting POP 3 to Phones via Wi-Fi	10
Appendix	13
Specifications	13
LED Indicators	15
Updating the Firmware	15
Scanner Calibration	15
Maintenance Instructions	15
Customer Service	16

Read Before Your First Scan

Software Download

To use your Revopoint POP 3 3D Scanner, you must first download the Revo Scan software. You can download it from Revopoint’s website for Windows and macOS systems. And for Android or iOS smartphones, search for “Revo Scan” in the Google Play or Apple App Store.

To learn more about Revo Scan’s functions, please check out the user manual in Revo Scan.

Scanning Dark, Transparent, or Reflective Objects

Like most 3D scanners, the POP 3 will struggle to scan transparent, reflective, or black objects without first lightly coating the object’s surface with scanning spray, baby powder, or dry shampoo.

Hard-to-scan Surfaces

Surface Features	Possible Solutions
Black or very dark objects	Apply scanning spray or fine powder materials
Shiny or reflective objects	Apply scanning spray or fine powder materials
Metal or electroplated surfaces	Apply scanning spray or fine powder materials
Transparent objects	Apply scanning spray or fine powder materials

Scanning Objects with Plain Surfaces

Scanning objects with simple geometric features, like a football or wine bottle, requires using Marker stickers or marker points and scanning in Marker Mode.

1. Place the Marker stickers on or around the objects' surface irregularly and ensure there are at least 5 Marker stickers per frame for the entire scan, or the scanner will lose track.
2. Alternatively, reference objects (these are any objects with distinct features that can be easily tracked) can be used. Place 1 to 3 reference objects around the item you are scanning for the 3D scanner to track. If doing this, you can use the scanner in Feature tracking mode for the scan.

Please scan the QR code to watch a Marker stickers video tutorial.

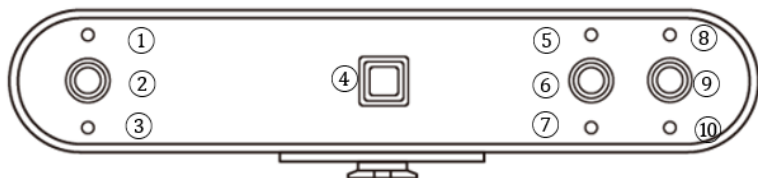


Color Scanning

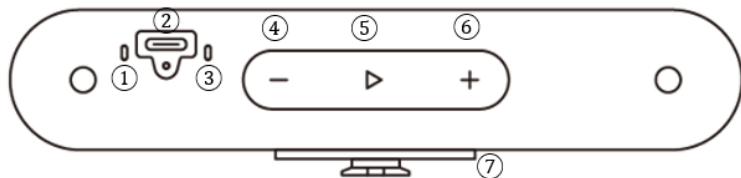
For optimal color scanning, please ensure that the object is evenly lit with soft light and that there are no dark or hard shadows.

About POP 3

The POP 3 is the next-gen 3D scanner from the POP series with new and improved hardware, design, and usability. The improvements in POP 3's capabilities offer more possibilities for 3D printing, 3D animation design, reverse engineering design, product design, medical health, digitizing historical items, VR/AR, and more.

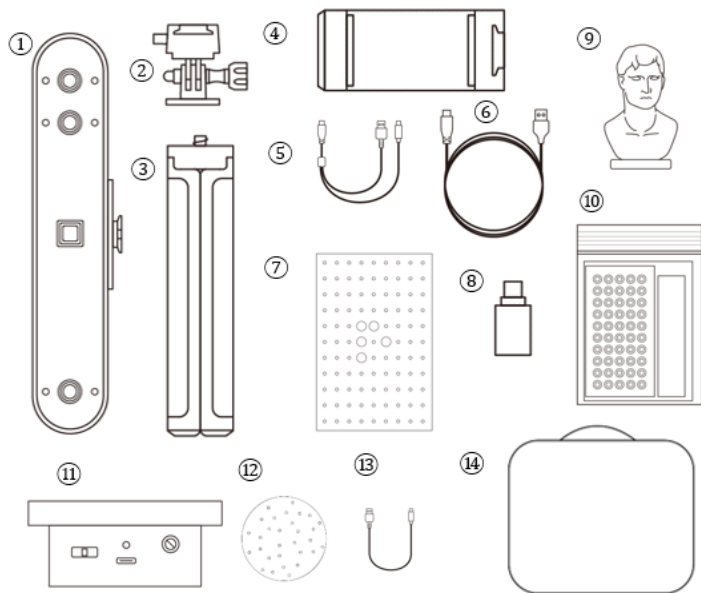


- | | |
|------------------------|-------------------------|
| 1. Infrared Fill Light | 6. RGB Camera |
| 2. Depth Camera | 7. White LED |
| 3. Infrared Fill Light | 8. Infrared Fill Light |
| 4. Projector | 9. Depth Camera |
| 5. White LED | 10. Infrared Fill Light |



- | | |
|-------------------------|----------------------|
| 1. Connection Indicator | 5. Start/Pause Scan |
| 2. Type-C Port | 6. Increase Exposure |
| 3. Power Indicator | 7. Quick Setup Board |
| 4. Decrease Exposure | |

What's in the Box?



- | | |
|------------------------|---------------------------------------------|
| 1. POP 3 3D Scanner | 9. Sample Bust |
| 2. Quick Mount Kit | 10. Gifts (Markers, Glue Tack, Black Sheet) |
| 3. Tripod | 11. Mini Turntable |
| 4. Phone Holder | 12. Marker Topper |
| 5. 2-in-1 Mobile Cable | 13. Turntable USB Cable |
| 6. USB Type-C Cable | 14. Carrying Case |
| 7. Calibration Board | |
| 8. Type-C Adapter | |

* The Content in the above image is for illustrative purposes only.

POP 3 on Windows or macOS Devices

Both Windows and macOS computers are compatible.

System Requirements



Windows: Win 10/11 (64-bit)

Memory: \geq 8GB

Processor: Intel Core i5 or better



Mac with Intel \times 86 chip: macOS 10.15 and models after

Mac with Apple M1 chip: macOS 11.0 and models after

Memory: \geq 8GB

* Minimum PC Display Screen Resolution: 1344 \times 768 (1920 \times 1080 is recommended).

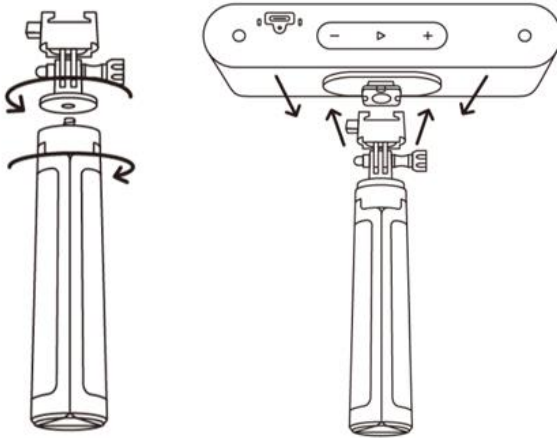
Connection Methods

	Windows	macOS
USB Mode	√	√
Wi-Fi Mode	√	√

Connecting POP 3 to a PC via USB

Step 1: Screw the Quick Mount Kit onto the Tripod.

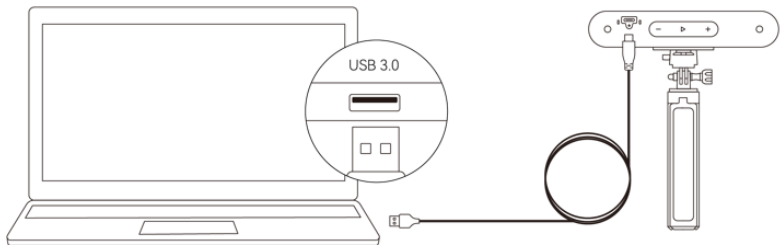
Step 2: Clip the POP 3 to the top.



Step 3: Connect the USB cable's Type-C end to the POP 3's rear port.

Step 4: Plug the Type-A end into a USB 3.0 port or above on your computer.

Step 5: Open Revo Scan on your computer.

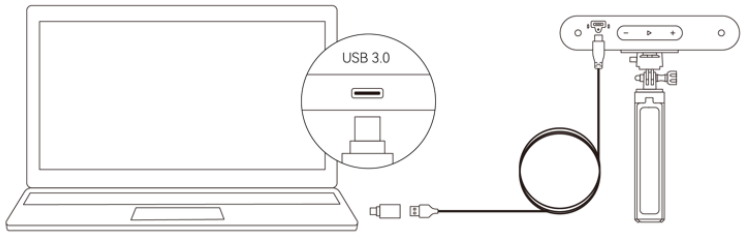


Windows or macOS

Notes:

1) Connect the POP 3 to a USB 3.0 port or above (USB 2.0 will not supply sufficient operating power.) Ensure your USB 3.0 port is not damaged or worn out.

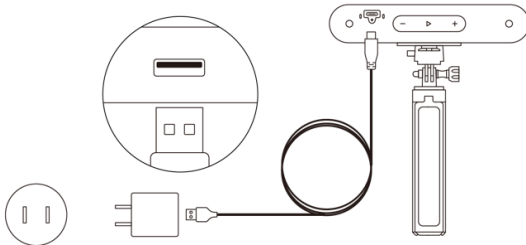
2) If there is no Type-A port on your computer, use the Type-C Adapter.



Windows or macOS

Connecting POP 3 to a PC via Wi-Fi

Step 1: Power the POP 3 with the Power Bank Handle or an AC adapter.
(Note: Do not plug it into your PC; it will be in USB mode by default.)



Step 2: Connect the PC to the POP 3.

- 1) Go to your Wi-Fi setting, search for the network called POP 3-XXXXXX and connect (No password is required).
- 2) Wait a few seconds for the scanner to connected.



Windows or macOS

Step 3: Open Revo Scan on your computer.

POP 3 on Smartphones

Android devices can connect via either USB or Wi-Fi. However, iOS devices only support Wi-Fi.

System Requirements



Android: \geq Android 9.0
 Harmony OS is supported.
 RAM: \geq 6GB



iPhone: iPhone 8 Plus or models after
 iPad: 6th generation iPad or models after
 System Version: \geq iOS 13.0

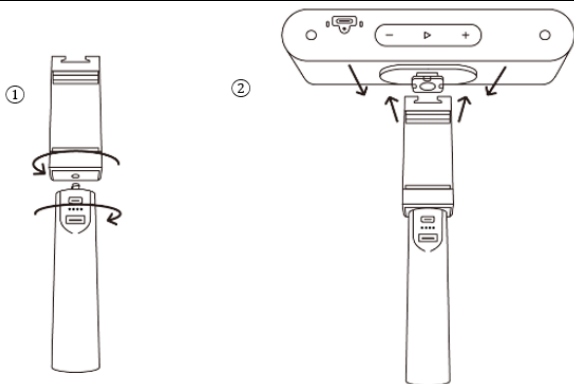
Connection Methods

	Android	iOS/iPadOS
USB Mode	√	×
Wi-Fi Mode	√	√

Connecting POP 3 to Android Phones via USB

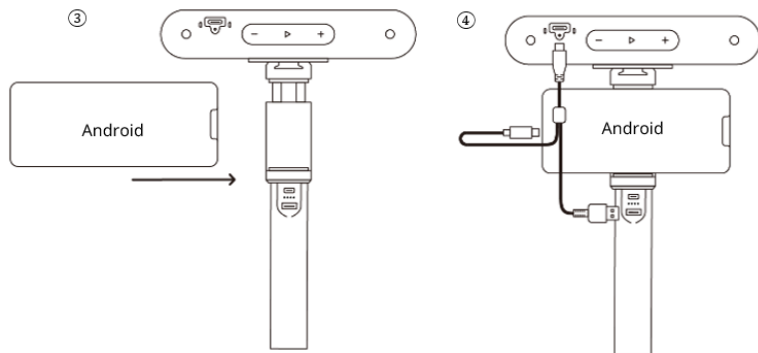
Step 1: Screw the Phone Holder onto the Power Bank.

Step 2: Clip the POP 3 to the top of the Phone Holder.



Step 3: Pull open the Phone Holder's clamps and fit your smartphone.

Step 4: Connect the 2-in-1 Mobile Cable's Type-C end to the POP 3's port, Type-A to the Power Bank, and Type-C to an Android smartphone.

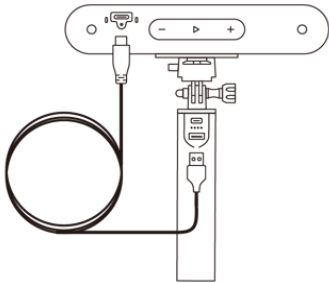


Connecting POP 3 to Phones via Wi-Fi

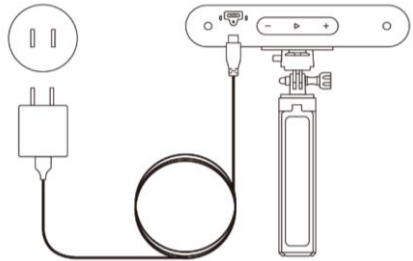
Both Android and iOS Phones are compatible.

Step 1: Power the POP 3 on via the Power Bank Handle or a Socket.

1) Powered by a Power Bank. 2) Powered by a Socket.



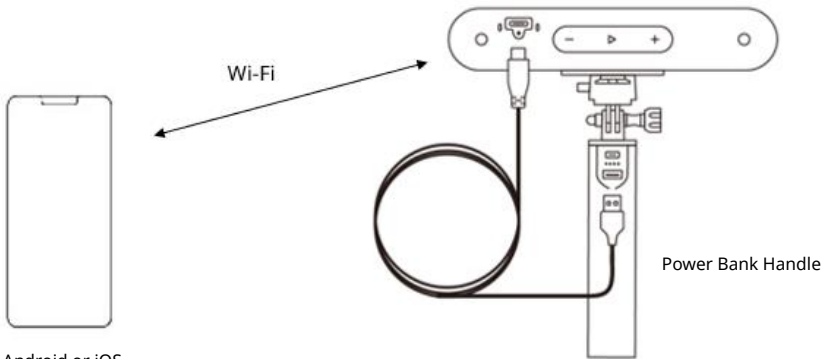
Power Bank Handle



Socket

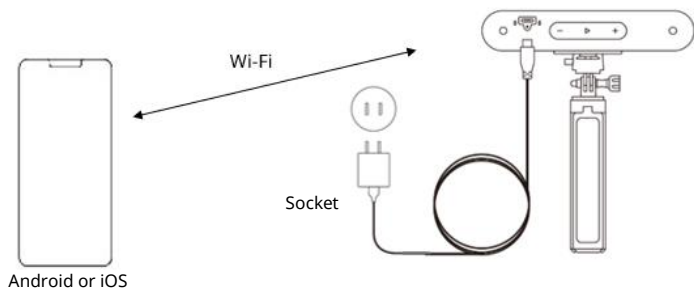
Step 2: Connect the Smartphone to the POP 3.

- 1) Go to your smartphone's Wi-Fi setting, search for the network called POP 3-XXXXXX and connect (No password is required).
- 2) Wait a few seconds for the scanner to be connected.



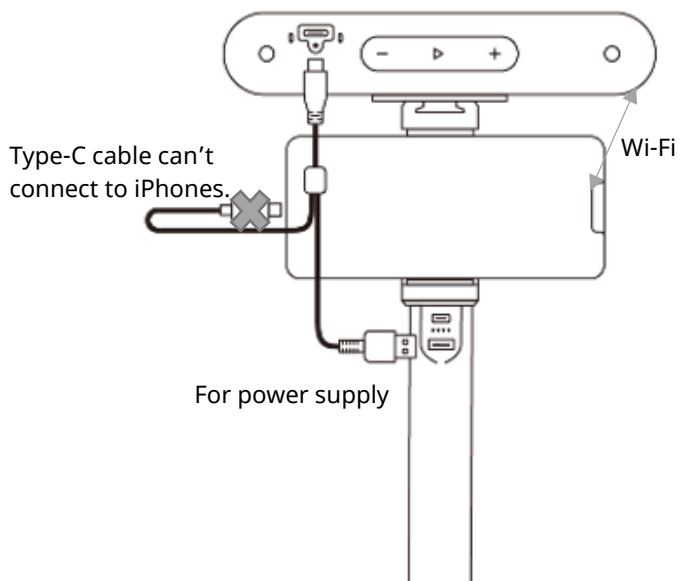
Android or iOS

Or



Step 3: Open Revo Scan on your phone.

Note: If you have an iPhone, and want to use the 2-in-1 Mobile Cable to scan, it works like this:



Appendix

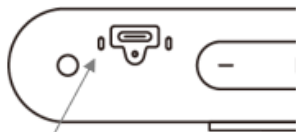
Specifications

Product Name	POP 3 3D Scanner
Technology	Biocular Dual Camera Infrared Light
Single-frame Precision	Up to 0.05mm
Single-frame Accuracy	Up to 0.1mm
Single Capture Range	125mm x 225mm
Working Distance	150mm - 400mm
Minimum Scan Volume	20mm x 20mm x 20mm
Scanning Speed	Up to 18fps
Light Source	Class 1 Infrared Light
Tracking Methods	Feature, Marker
Color Scanning	Yes
Output Formats	PLY, OBJ, and STL
Point Distance/ Resolution	0.05mm
Special Object Scanning	Use scanning spray for transparent, dark, or highly reflective objects.
Scanning Environment	Indoors and Outdoors
Outdoor Scanning	The POP 3 cannot scan objects well in direct bright sunlight.

POP 3 Quick Start Guide

Scanner Dimensions	153mm x 45mm x 29mm
3D Printing Compatible	Yes
Compatible OS	Windows, Android, iOS, macOS
Buttons	Three touch buttons.
Button Functions	Start/Pause scanning, adjusting exposure
LED Indicators	Connection indicator shows the connection status.
	Power indicator shows the power status.
PC Display Screen Resolution	>1344x768 (1920×1080 is recommended)
Wi-Fi	Wi-Fi 6
Connection Port	USB Type-C
<p>Note:</p> <ol style="list-style-type: none">1. Accuracy was acquired in a controlled lab environment. Actual results might vary, subject to the operation environment.2. iOS devices only support Wi-Fi connection.3. Class 1 Laser: Avoid direct eye exposure for extended periods! Refer to Standards for Class 1 Lasers for details.	

LED Indicators



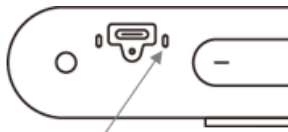
Connection Indicator

No light: Not Connected

Solid blue light: Connected

Flashing blue light: Working

Properly



Power Indicator

No light: Not Powered

Solid red light: Powered

Flashing red light: Starting

Solid green light: Started Successfully

Updating the Firmware

A pop-up will notify you when you connect your POP 3 to Revo Scan if a firmware update is available. If you want to update your firmware, follow the install wizard's prompts and ensure your POP 3 has a stable power supply.

Scanner Calibration

Your POP 3 3D Scanner was calibrated in the factory and only needs to be recalibrated after a year of use or if the scanned results do not match the specified accuracy.

Maintenance Instructions

1. Small parts, such as markers, are dangerous if swallowed. Keep all components out of reach of children and animals to avoid serious injury to them.
2. Store the scanner and all accessories in a cool, dry place away from direct sunlight.
3. Do not allow the scanner to come into contact with or become

immersed in water or other liquids. Wipe it with a soft, absorbent cloth if it gets wet. Operating a scanner that has gotten wet may cause permanent component damage.

4. Keep the cameras and projector (the two IR cameras, one RGB camera and a projector) clean. Use 95% isopropyl alcohol and a soft cloth to clean them.

5. Handle the scanner with care to avoid hitting the cameras.

6. The operating temperature POP 3 of this product is 0°C to 40°C (32°F to 104°F).

7. Do not disassemble the scanner. If there are any problems or questions, contact the Revopoint customer service team at customer@revopoint3d.com.

Customer Service

If you need any assistance with your scanner, please don't hesitate to contact us at customer@revopoint3d.com or drop us a line at +1 (888) 807-3339 or chat with one of our customer service agents online on our website at www.revopoint3d.com. Click the speech bubble on the bottom right corner of the screen.

Warning

The product cannot be returned
if the "**Warranty Void If Seal Is Broken**"
label is damaged or removed.

This content is subject to change.



www.revopoint3d.com

If you have any questions about this document,
Please contact Revopoint by sending a message
to support@revopoint3d.com or our forum
<https://forum.revopoint3d.com/>.

©2023 REVOPOINT 3D ALL RIGHTS RESERVED